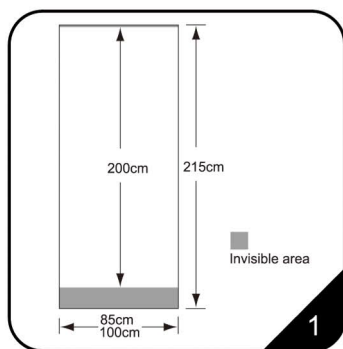
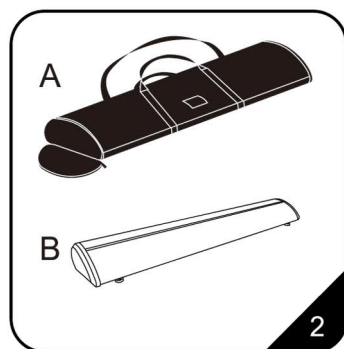


# Roll banner Premium Plus

## Instructions

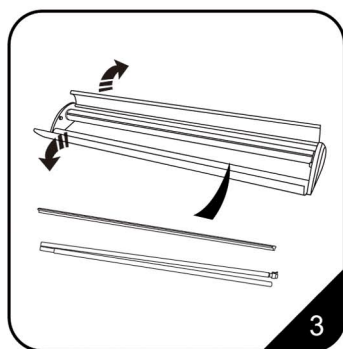


1



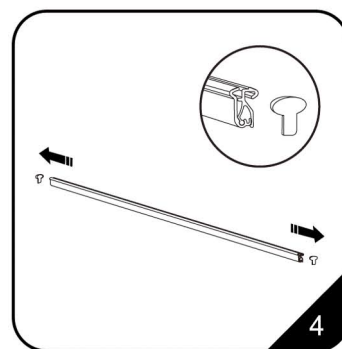
2

2. The case contains installation instruction, bag, frame whole.



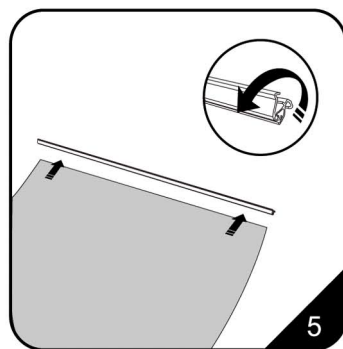
3

3. Open base unit's cover, pick out the telescopic pole and snap bar.



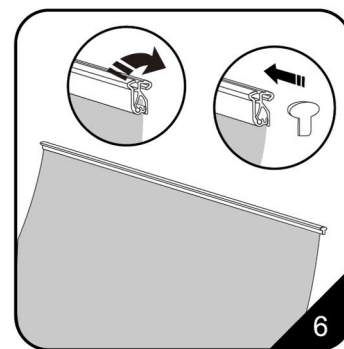
4

4. Remove the plastic end caps from the upper beam.



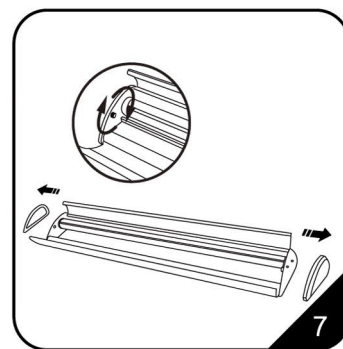
5

5. Open the snap bar then insert the top edge of the graphic.



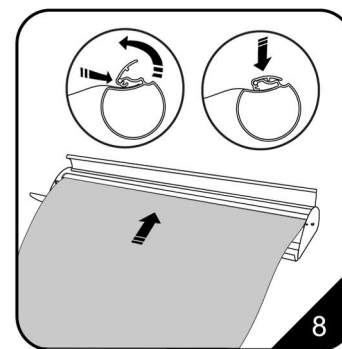
6

6. Close the snap bar lips to secure the graphic. Finish the top by re-attaching the end caps.



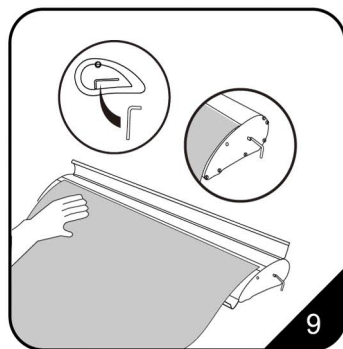
7

7. Release cover screw, then open the base unit cover



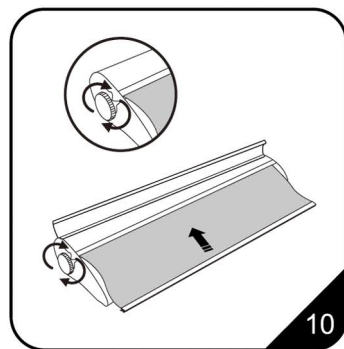
8

8. Open the roller's lid, slide the bottom edge of the graphic under the lid. Close the roller's lip to secure the graphic.



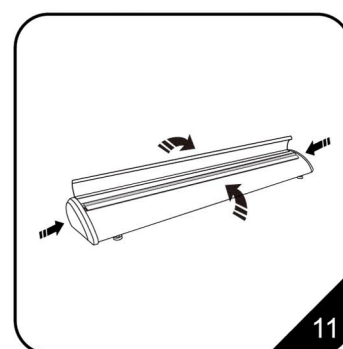
9

9. Activate the spring tension by removing the Allen Key. Pull the Allen Key while holding on the the attached graphic. Save the key in the side cover.



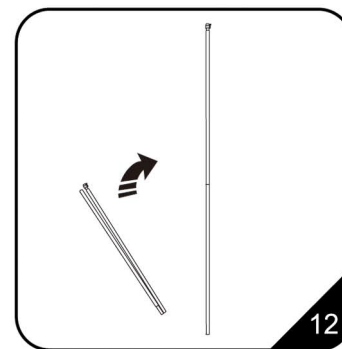
10

10. Carefully circumgrate the tension circle, make the graphic go into the base unit.



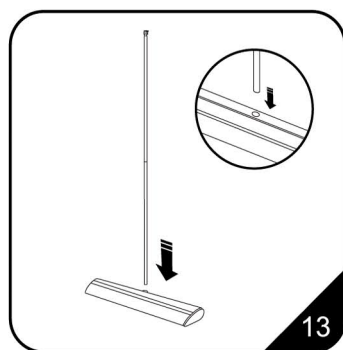
11

11. Close the base unit cover and side cover.



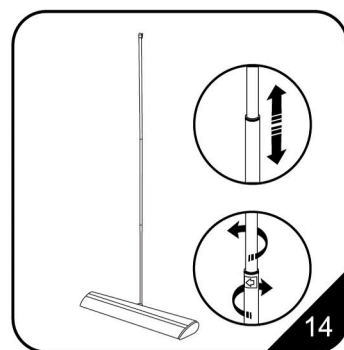
12

12. The hooked end corresponds to the top and the round end belongs to the bottom base.



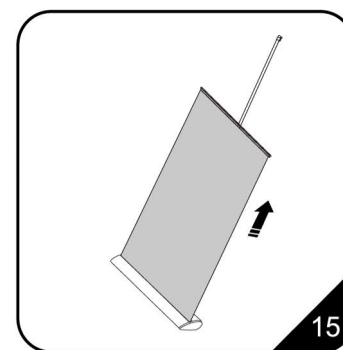
13

13. Insert the assembled pole into the base hole.



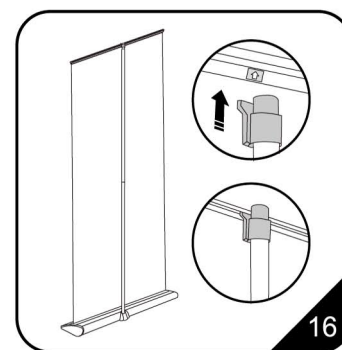
14

14. Draw out the upper of the telescopic pole to adjust the height to suitable level, then circumgrate to firm it.



15

15. Pull the graphic completely



16

16. The plastic holder at the top of pole slips into the rear slot of the banner beam. A marker on the beam indicates the beam's centre where the pole should be inserted.